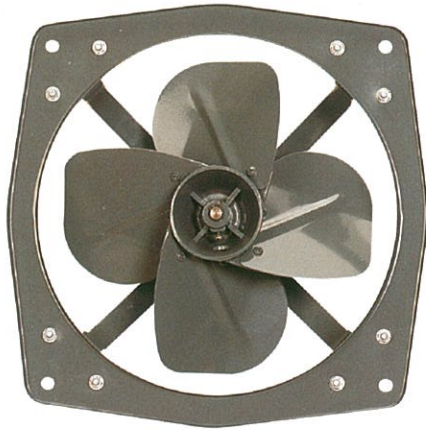


# EXHAUST FANS

# View



12" -18" EXHAUST FANS



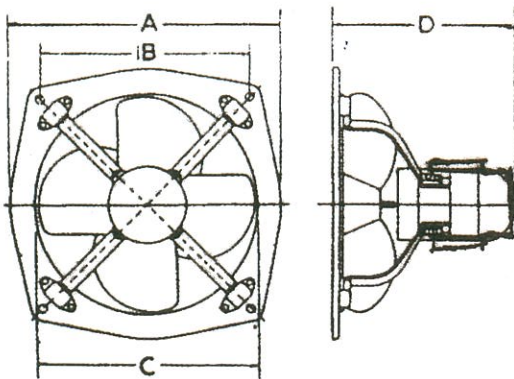
24" -36" EXHAUST FANS



12" -18" EXHAUST FANS

## PERFORMANCE DATA

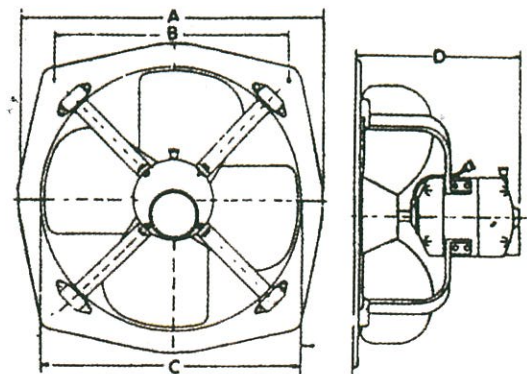
MODEL	Size	Voltage	RPM	AMPS(A)	CFM	CMH(m <sup>3</sup> /hr)
VF-12	12"	230VAC/50Hz	1400	0.7	1100	1800
VF-15	15"	230VAC/50Hz	1400	1.2	2000	3300
VF-18	18"	230/415VAC,50Hz	1400	1.6	3000	4900
VF-24A	24"	230/415VAC,50Hz	900	1.7	5200	8700
VF-24B	24"	230/415VAC,50Hz	1400	3.9	7000	11700
SV-30	30"	415VAC/50Hz	900	2.5	12000	20000
SV-36	36"	415VAC/50Hz	700	3.0	16000	26700



12" -18"  
Ring Mounted Fans

### Dimension

MODEL	Size(in)	A	B	C	D	Weight(kg)
VF-12	12	15	12	12 <sup>3</sup> / <sub>4</sub>	9 <sup>1</sup> / <sub>2</sub>	8.4
VF-15	15	19	15	16 <sup>1</sup> / <sub>4</sub>	10	9.4
VF-18	18	22	17 <sup>1</sup> / <sub>4</sub>	18 <sup>1</sup> / <sub>2</sub>	11 <sup>3</sup> / <sub>4</sub>	14



24" -36"  
Ring Mounted Fans

### Dimension

MODEL	Size(in)	A	B	C	D	Weight(kg)
VF-24A	24A	28 <sup>1</sup> / <sub>2</sub>	22 <sup>1</sup> / <sub>2</sub>	24 <sup>1</sup> / <sub>4</sub>	13	23
VF-24B	24B	28 <sup>1</sup> / <sub>2</sub>	22 <sup>1</sup> / <sub>2</sub>	24 <sup>1</sup> / <sub>4</sub>	15 <sup>3</sup> / <sub>4</sub>	29.4
SV-30	30	35 <sup>1</sup> / <sub>4</sub>	27 <sup>5</sup> / <sub>8</sub>	31	15	41.6
SV-36	36	41	32	37	20 <sup>1</sup> / <sub>4</sub>	80

# FLOOR DRYER

## Product features

Our factory air-drier product is special use for drying floor and carpets. It is wholly rubber housing body with handle & rollers for easy movement. The motor has designed to generate large airflow, Low power consumption, three speeds control and temperature stability. Protection grills are fixed at both inlet and outlet for safety purpose.

### 产品特点:

本产品是专门设计用于吹干地面和地毯。其全塑胶外壳安全耐用，产品选配轮子和手柄方便移动；前倾弯曲式双出风风轮设计使风量更加强劲。进出口设有防风护网，安全性大大加强。电机选用优质蛙钢片冲压而成，耗电少、温升低、性能稳定；三档调速设置，可满足不同环境的需要。

MODEL	Blade	Voltage	Power	Speed	Air volume	Noise	Weight
	IN.(mm)	V.	W.	RPM	M <sup>3</sup> /min	dB(A)	KG
SDF-270	270	230VAC/50	1000	1400	110~160	75	16.5



## CKE

### 'A' type Shutter Exhaust Fan

Model	Blade IN.(mm)	Power (W)	RPM (R/min)	m <sup>3</sup> /min
CKE-8	8" (200)	30	1300	7.38
CKE-10	10" (250)	40	1300	11.4
CKE-12	12" (300)	45	1300	16.4



## Red-Star

### Industrial Ventilating Fan (light Duty)

Model	Blade IN.(mm)	Power (W)	RPM (R/min)	m <sup>3</sup> /min
RS-8	8" (200)	30	1300	7.38
RS-10	10" (200)	40	1300	11.4
RS-12	12" (300)	45	1300	16.4

